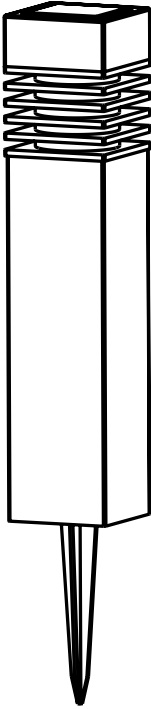


# sterno | home

From Our Home to Yours.™

**READ, FOLLOW AND SAVE THESE INSTRUCTIONS**

**MODEL #GL42077**



## **SOLAR POWERED PATH LIGHT**

### **DEAR CUSTOMER,**

Congratulations on your purchase of a STERNO HOME™ lighting product. Our products will help to enhance the beauty of your home and provide many years of enjoyment. STERNO HOME™ offers a wide selection of lighting products of the highest professional quality. Ask your dealer about the many other STERNO HOME™ products that will help to create your own paradise.

To ensure the maximum performance of your garden light, please read and save these instructions.

Replacement parts may be ordered by using the fixture model number and the part's name.

### **1. How your Solar Powered Fixture works**

During the day, the solar panel converts sunlight into electricity and recharges the battery/batteries. At night, the light turns on automatically using the electricity stored during that day.

The number of hours the light stays on depends on your geographical location, weather conditions and seasonal sunlight availability.

Place the solar light fixture in an area where it can receive direct sunlight for at least 8 hours each day. Shadowed locations will not allow the battery/batteries to charge fully and will reduce the hours of nighttime lighting. The selected location should not be near nighttime light sources, such as porch lights, street lights or pool lights, as these may cause the solar light to turn off prematurely.

## 2. First time use

If the solar panel is covered by a protective film, remove it before using the product.

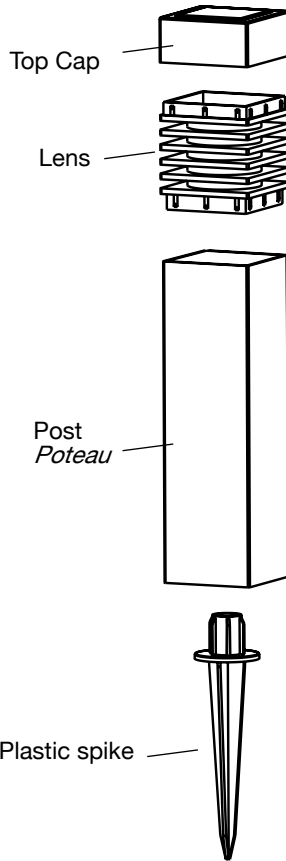
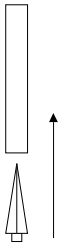
Change the switch to the ON position.

Place the solar light in a location where it can receive a full 8 hours of sunlight to allow the rechargeable battery/batteries to reach maximum capacity.

## 3. Fixture Assembly

- Attach the top cap onto each lens by pressing it downward on the lens. Attach the lens to the post by pressing them together.
- Attach the plastic spike to the post by pressing them together.

**ATTENTION**  
SPIKE  
IS INSERTED  
IN POST



## 4. Installation Tips

- **If the soil is of a loose, sandy or organic type**, grasp the post with both hands near the spike and firmly push into the ground.
- **If the soil is hard**, pour some water onto the ground to soften it.
- **If the soil is stony**, soften the ground with a rake or shovel and remove large rocks. Dig a small hole, insert the fixture spike, replace the soil and tap down.
- **Never push fixture into the ground by the fixture head.**

## 5. Troubleshooting

**If the light does not turn on at dusk after 8 hours of charging:**

- Ensure that the solar light is in a bright sunny location and not in a shady area during the day.
- Make sure that the light's photocell is not affected by other light sources at night.
- Make sure that the switch is ON.
- Verify that the battery/batteries are making contact with the terminal and that they have been inserted in the correct polarity.

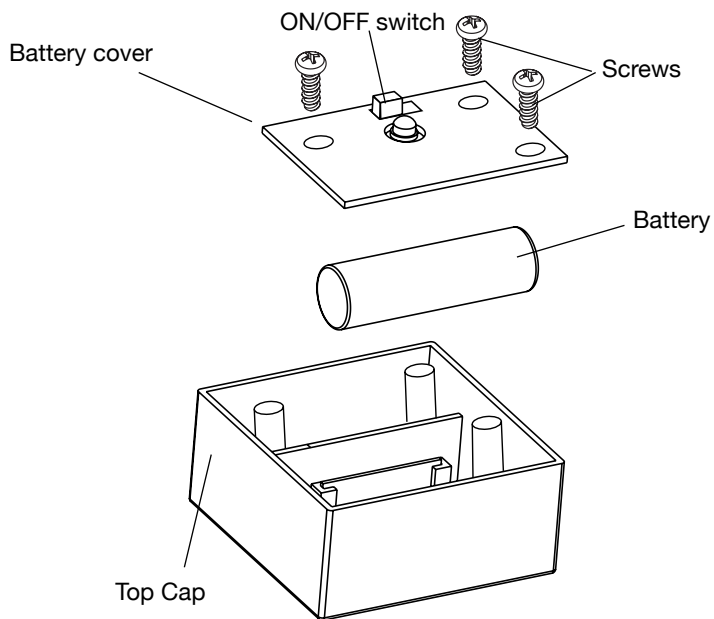
## 6. Battery Replacement

NOTE: This operation should be done in the morning on a sunny day. This will allow the light to receive a full 8 hours of sunlight so that the rechargeable battery/batteries can reach maximum capacity.

- Remove the top cap (A) by pulling upwards.
- Remove the 3 screws securing the battery cover.
- Remove the old 800 mAh battery and replace it with a new AA size 1.2V, Ni-Mh, 800 mAh rechargeable battery.

**Note:** Clean the battery contacts and those of the device prior to battery installation.

- Be sure to insert the battery in proper direction.
- Replace the battery cover
- Replace the top cap (A) by pushing downwards.



## 7. CAUTION

- Safe for outdoor operation.
- Failure to insert battery in the correct polarity, as indicated in the battery compartment, may shorten the life of the battery or cause battery to explode or leak.
- Do not mix old and new batteries. Replace all batteries of a set at the same time.
- Do not mix Alkaline, Standard (Carbon-Zinc) or Rechargeable (Nickel Cadmium) or (Nickel Metal Hydride) batteries.
- Do not dispose of batteries in fire.
- Batteries should be recycled or disposed of as per manufacturer's recommendations.
- Remove batteries if consumed or if the product is to be left unused for a long period of time.
- **REPLACEMENT PARTS MAY BE ORDERED BY USING THE FIXTURE MODEL NUMBER AND THE PART'S NAME.**